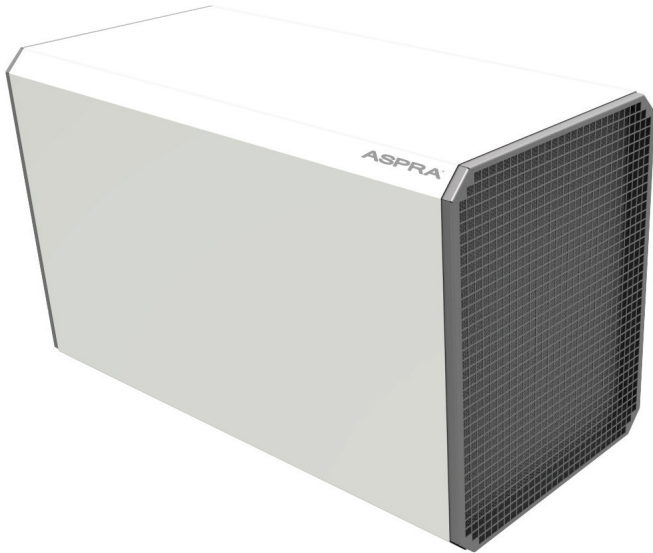


E-PURE ASPRA S400-L



TECHNICAL SPECIFICATION

Code	IEBE000001
Settings	On / Off
Capacity	400 m3/h
Power	<20 W
Sound	49 dB(A)
Efficiency	97%
Size	675 x 290 x 375 mm
Colours	White RAL 9016
Weight	16 kg
Materials	Galvanised steel
Collectors	Standard collector, Active Carbon Filter
Air cleaning technique	ASPRA, Active Carbon
Power input	~230 V/ 50 - 60 Hz
Installation	Mounted to wall or floor placement
Regulation	Manual
Including	Collector, Active Carbon Filter

DESCRIPTION

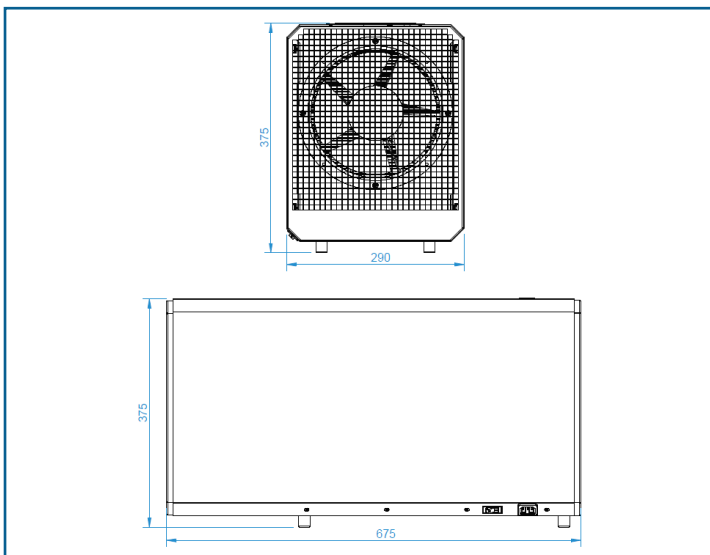
The E-PURE ASPRA S400-L permanently removes viruses, bacteria, harmful dust, fine dust, pollen and fungi from the air in the room. Due to the standard integrated Active Carbon Filter, the air purifier also removes gases and odors from the air.

The air purifier offers essential air purification and provides two settings: on and off. When the air purifier is on, it will offer optimal air purification in the highest capacity (400 m3/h).

The E-PURE ASPRA S400-L is specifically designed for air purification in hospitals, waiting areas, isolation rooms, hallways and care homes. Suitable for spaces smaller than 200 m3.

FEATURES

- Efficient removal of fine dust
- Kills and captures viruses
- Equal to HEPA purification
- Purifies the whole room
- Healthy clean indoor air
- No risk of fungal growth and mold like in textile/ paper filters
- Silent
- Mobile air purification (plug-and-play)
- More effective for particulate matter than F or G filters
- Low energy usage and cost effective in use



COLLECTORS AND FILTERS	CODE
E-PURE S400-L Collector	IEZ
E-PURE S400-L Active Carbon Filter	IEZ
E-PURE S400-L Wall mounting bracket	IEZ
E-PURE S400-L Floor stand	IEZ
E-PURE S400-L Cleaning brush	IEZ

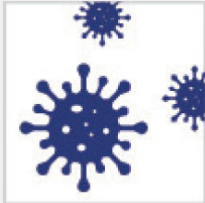
AES OFFER INSTALLATION AND SERVICE SUPPORT FOR ALL EQUIPMENT

E-PURE ASPRA P10000

HELPS CLEAN THE AMBIENT AIR OF:



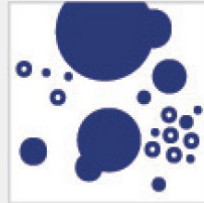
Fine dust



Viruses



Bacteria



Fungi



Smells



Gases

AES OFFER INSTALLATION AND SERVICE SUPPORT FOR ALL EQUIPMENT