

FILTERMIST FX SERIES FX4002 - OIL MIST FILTERS



TECHNICAL SPECIFICATION

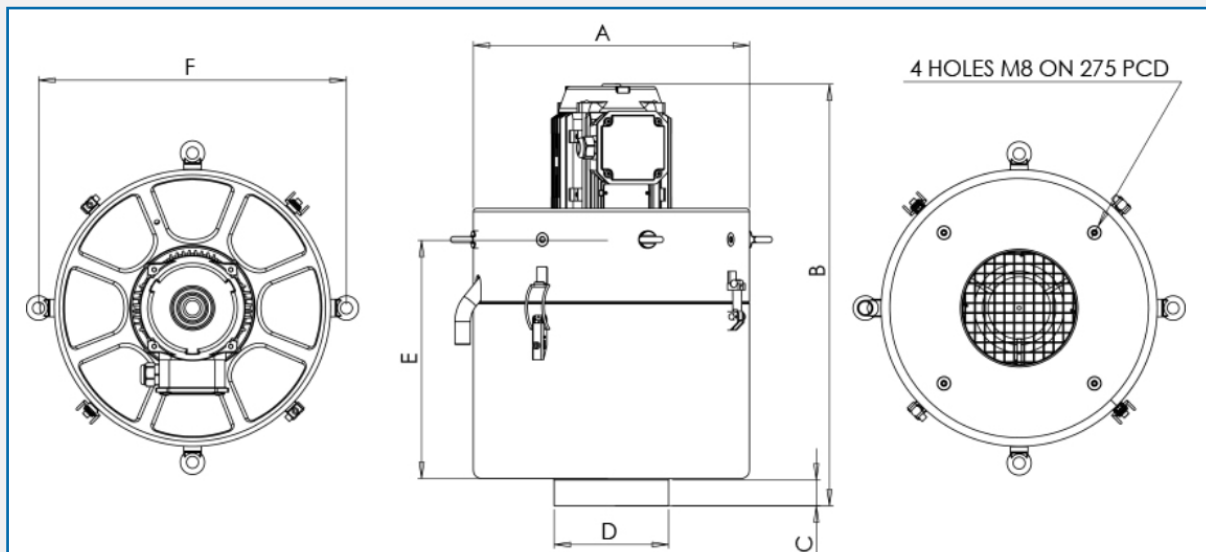
| | |
|-----------------------------|-----------------------------------------------------------------------------------------|
| Airflow (m ³ /h) | 1250 @ 50 Hz 1500 @ 60 Hz |
| Motor | 1.1 kW 50 Hz 200V, 220 V, 380V, 400V 1.1 kW 60 Hz 200V, 220V, 230V, 440V, 460V, 480V |
| A (mm) | 357 |
| B (mm) | 544 |
| C (mm) | 35 |
| D (mm) | 148 |
| E (mm) | 309 |
| F (mm) | 398 |
| Weight | 25.8 kg |
| Noise d(B)a | 70 |

DESCRIPTION

Filtermist FX4002 units efficiently remove oil & coolant mist, fume and steam in a various amount of manufacturing operations around the world.

Can be directly connected to the machining centre or fixed on a stand with easy access for maintenance.

DIMENSIONS



AES OFFER INSTALLATION AND SERVICE SUPPORT FOR ALL EQUIPMENT