

## FILTERMIST OIL MIST FILTER FX6002



### TECHNICAL SPECIFICATION

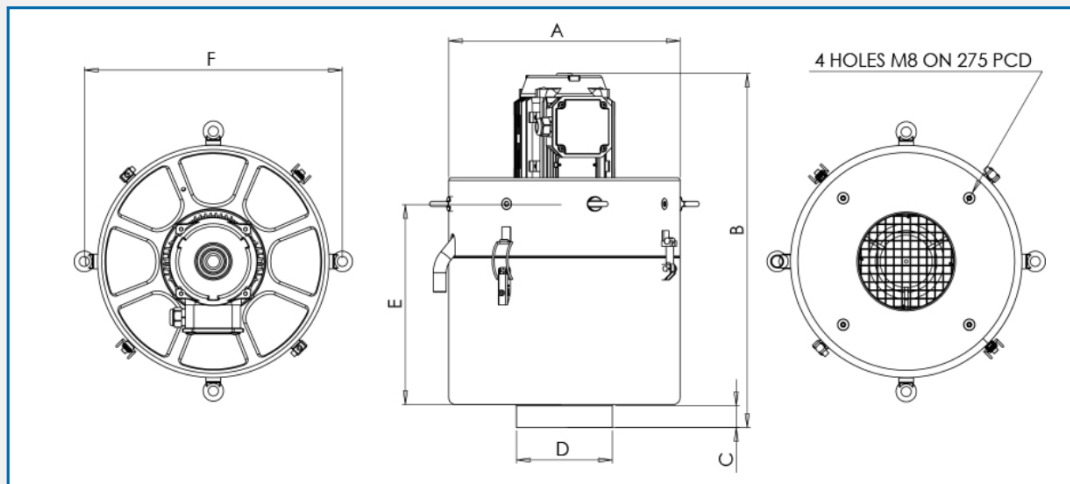
Airflow (m <sup>3</sup> /h)	2000 @ 50Hz 2400 @ 60Hz
Motor	2.2kW 50Hz 200v, 220v, 380v, 400v 2.2kW 60Hz 220v, 230v, 440v, 460v, 480v
A (mm)	438
B (mm)	638.5
C (mm)	35
D (mm)	198
E (mm)	432
F (mm)	485
Weight	36.8
Noise Level	73 dB(A)

### DESCRIPTION

Filtermist FX6002 units efficiently remove oil & coolant mist, fume and steam in a various amount of manufacturing operations around the world.

Can be directly connected to the machining centre or fixed on a stand with easy access for maintenance.

### DIMENSIONS



AES OFFER INSTALLATION AND SERVICE SUPPORT FOR ALL EQUIPMENT