

FILTERMIST OIL MIST FILTER S200



TECHNICAL SPECIFICATION

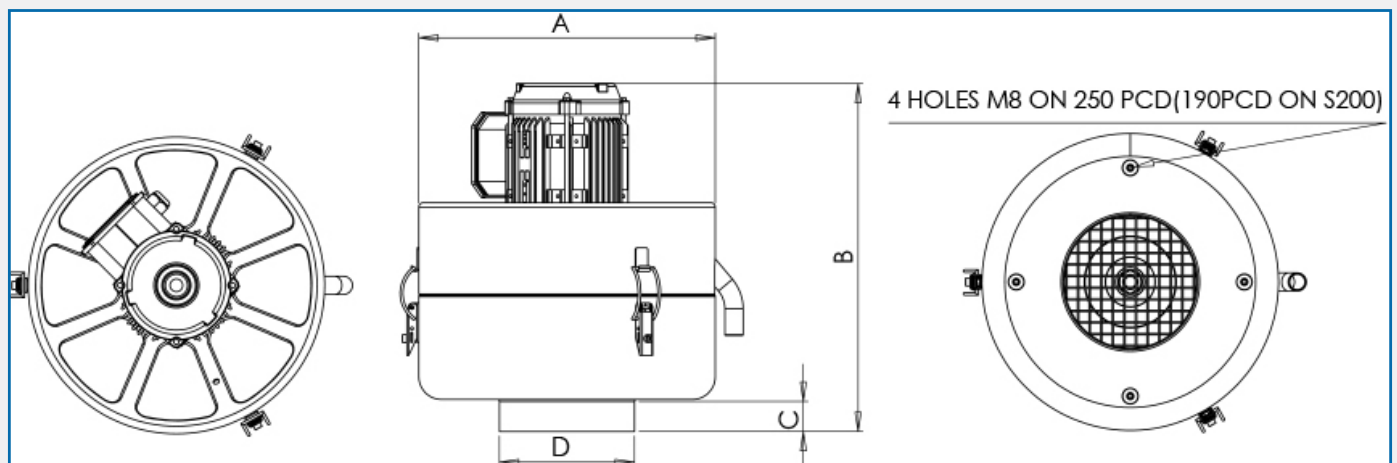
Airflow (m ³ /h)	180 @ 50Hz 215 @ 60Hz
Motor	0.18kW 50Hz 200v, 220v, 380v, 400v 0.18kW 60Hz 200v, 220v, 230v, 440v, 460v, 480v
A (mm)	260
B (mm)	302
C (mm)	30
D (mm)	73
Weight	9 kg
Noise Level	62 dB(A)

DESCRIPTION

Filtermist S200 units efficiently remove oil & coolant mist, fume and steam in a various amount of manufacturing operations around the world.

Can be directly connected to the machining centre or fixed on a stand with easy access for maintenance.

DIMENSIONS



AES OFFER INSTALLATION AND SERVICE SUPPORT FOR ALL EQUIPMENT