

## FILTERMIST OIL MIST FILTER S400



### TECHNICAL SPECIFICATION

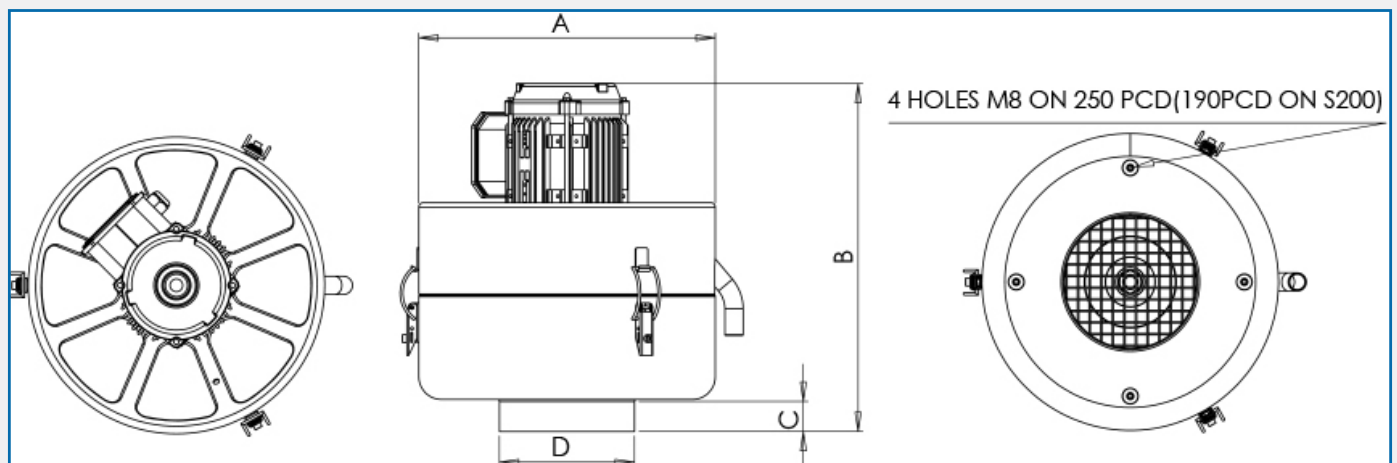
Airflow (m <sup>3</sup> /h)	425 @ 50Hz 500 @ 60Hz
Motor	0.55kW 50Hz 200v, 220v, 380v, 400v 0.55kW 60Hz 200v, 220v, 230v, 440v, 460v, 480v
A (mm)	325
B (mm)	381
C (mm)	35
D (mm)	148
Weight	14 kg
Noise Level	65 dB(A)

### DESCRIPTION

Filtermist S400 units efficiently remove oil & coolant mist, fume and steam in a various amount of manufacturing operations around the world.

Can be directly connected to the machining centre or fixed on a stand with easy access for maintenance.

### DIMENSIONS



AES OFFER INSTALLATION AND SERVICE SUPPORT FOR ALL EQUIPMENT